


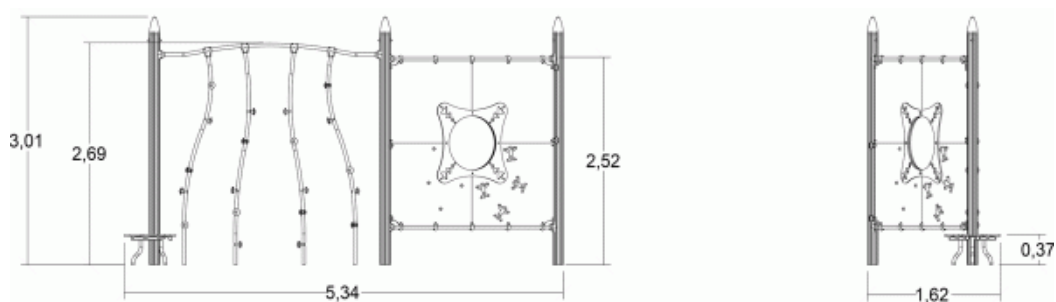
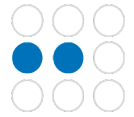
 6+
  7
  2,7m
 
 1 = 5,34m
 2 = 1,61m
 3 = 3,01m



Motor inclusion
Sensory inclusion
Mental inclusion



Play value : **8**

climbing



x5

climbing



x1

getting across



x2

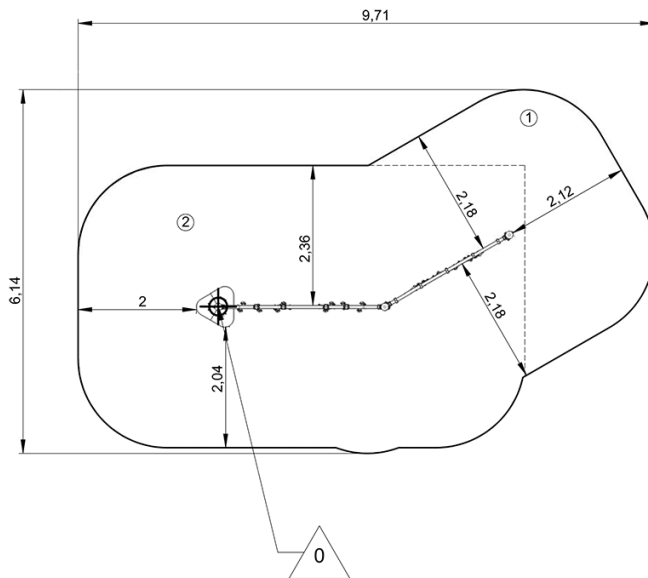
Components



Installation of equipment

Impact area =

- Impact area
- Free space



1	2,52m	9,5m ²
2	2,7m	34,5m ²



2



04h00



0.85m³



44m²



245kg



25kg

